

smart interior design

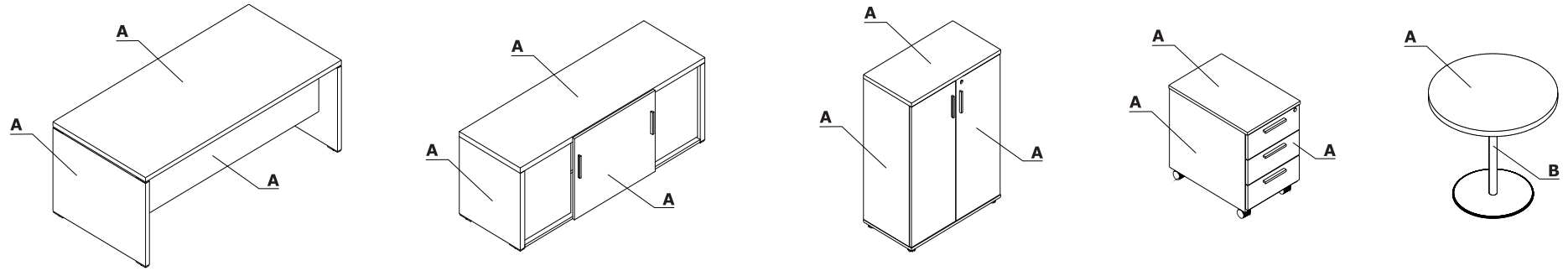
FOR YOUR OFFICE

WWW.SMARTINTERIOR.RO

Executive QUANDO

v4.2021

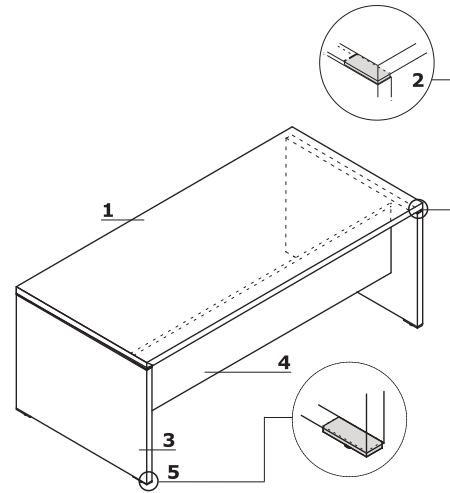
Colour combination - Quando



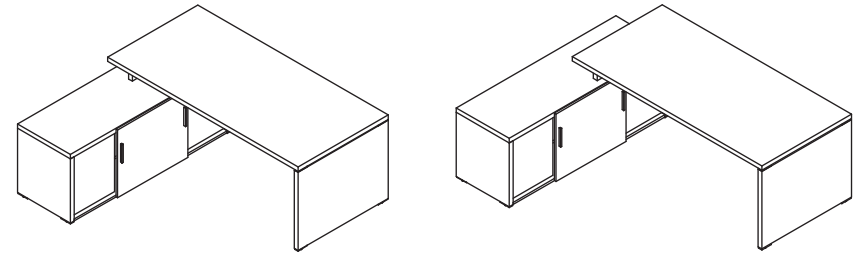
Material	Colour	All elements	Tables - disc base													
		A - MFC elements	B - Column													
MFC	31 - canadian oak	✓														
	34 - chestnut	✓														
	106 - lowland walnut	✓														
	167 - grey oak	✓														
	168 - natural oak	✓														
Metal	M115 - black semi-matt RAL 9005		✓													
	M009 - aluminium semi-matt RAL 9006		✓													
	M015 - white semi-matt RAL 9010		✓													

Desks

- 1 **Worktop** - MFC 38 mm, ABS edge
- 2 **Top distance** - aluminium 100x34x9 mm
- 3 **Base** - MFC 38 mm, ABS edge
- 4 **Modesty panel** - MFC 18 mm, ABS edge
- 5 **Leveling feet** - aluminium 100x34x9 mm, range 5 mm

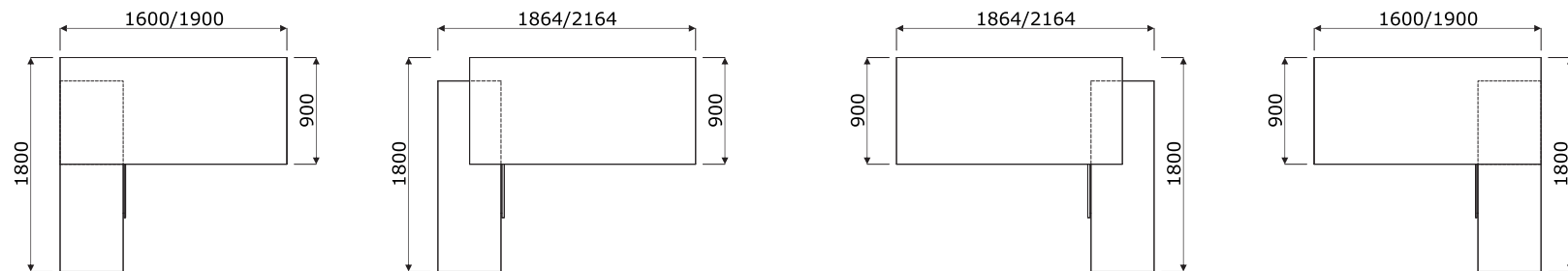


Configuration examples



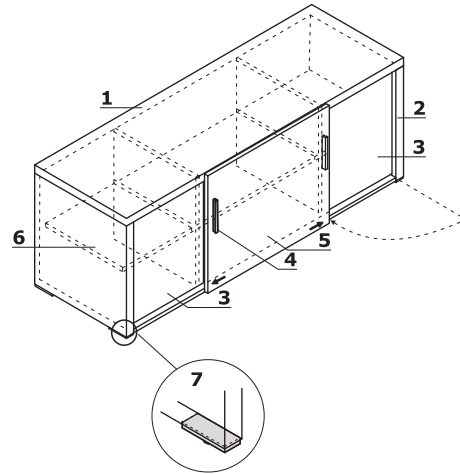
QU16 / QU19

Configuration examples (mm)



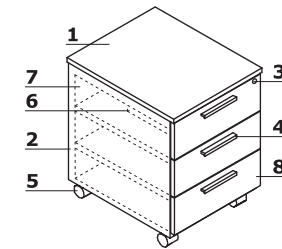
Cabinet

- 1 **Top** - MFC 38 mm, ABS edge
- 2 **Side panels** - MFC 38 mm, ABS edge
- 3 **Front** - MFC 18 mm, ABS edge
- 4 **Aluminum handle**
- 5 **Sliding front** - MFC 18 mm, ABS edge
- 6 **Shelf** - MFC 18 mm, protection against accidental falling-out, ABS edge
- 7 **Leveling feet** - aluminium 100x34x9 mm, range 5 mm



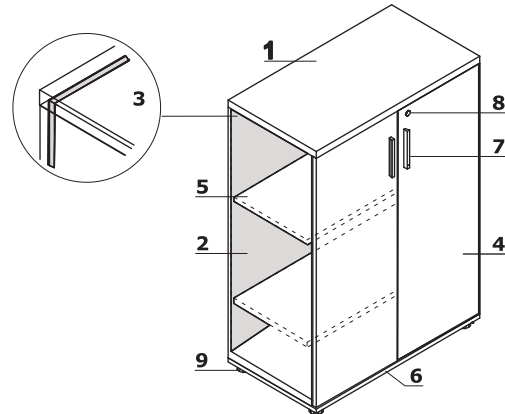
Mobile pedestal QD13

- 1 **Top** - MFC 18 mm, ABS edge
- 2 **Body** - MFC 18 mm, ABS edge
- 3 **Central lock** - foldable key
- 4 **Aluminum handle**
- 5 **Castors** - Ø50 mm, two with brakes
- 6 **Pencil tray** - plastic, colour: black
- 7 **MFC drawer** - roll runners, max load 25kg, 80% extraction; Anti-tilt mechanism
- 8 **Front** - MFC 18 mm, ABS edge



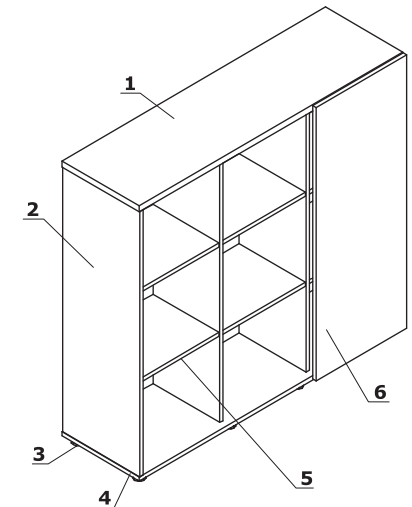
Storages

- 1 **Top** - MFC 28 mm, ABS edge
- 2 **Side panels** - MFC 18 mm, ABS edge
- 3 **Back MFC** - 18 mm, ABS edges
- 4 **Front** - MFC 18 mm, ABS edge, plain hinge 110°
- 5 **Shelf** - MFC 18 mm, protection against accidental falling-out, ABS edge
- 6 **Base** - MFC 18 mm, ABS edge
- 7 **Aluminum handle**
- 8 **Patent lock**
- 9 **Leveling feet 27 mm** - range 5 mm



Storage with sliding front - Q315

- 1 **Top** - MFC 28 mm, ABS edge
- 2 **Side panels** - MFC 18 mm, ABS edge
- 3 **Leveling feet 27 mm** - range 5 mm
- 4 **Base** - MFC 18 mm, ABS edge
- 5 **Shelf** - MFC 18 mm, protection against accidental falling-out, ABS edge
- 6 **Sliding front** - MFC 18 mm, ABS edge



Additional elements for storages

1 IM300

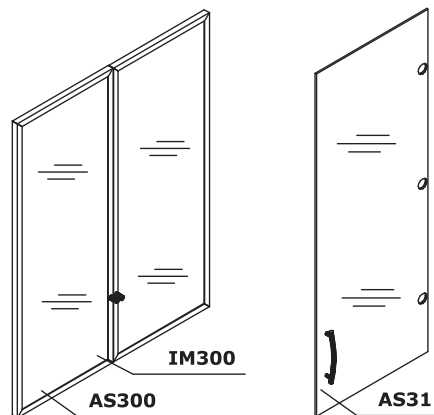
- glass door 30H
- transparent tempered glass 4 mm, with aluminum frame

2 AS300

- glass door 30H
- frosted tempered glass 4 mm, with aluminum frame

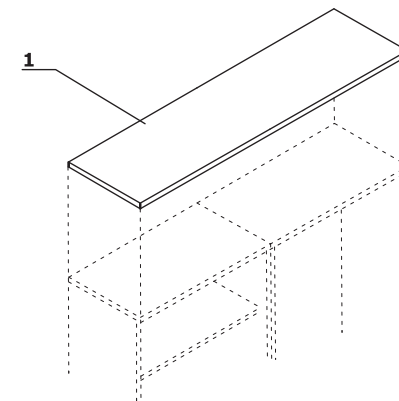
3 AS31

- glass door 30H
- transparent tempered glass 4 mm
- universal (left,right)



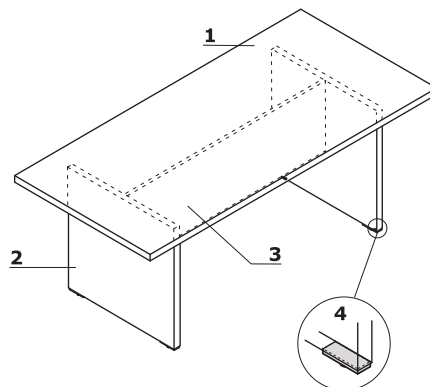
Optional storage tops

1 Top - MFC 38 mm, ABS edge



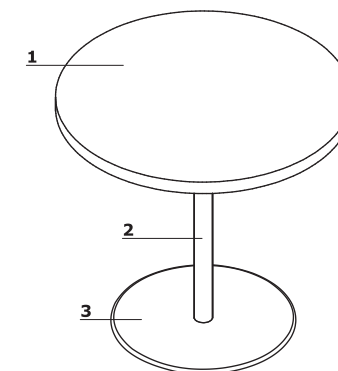
MFC base meeting tables

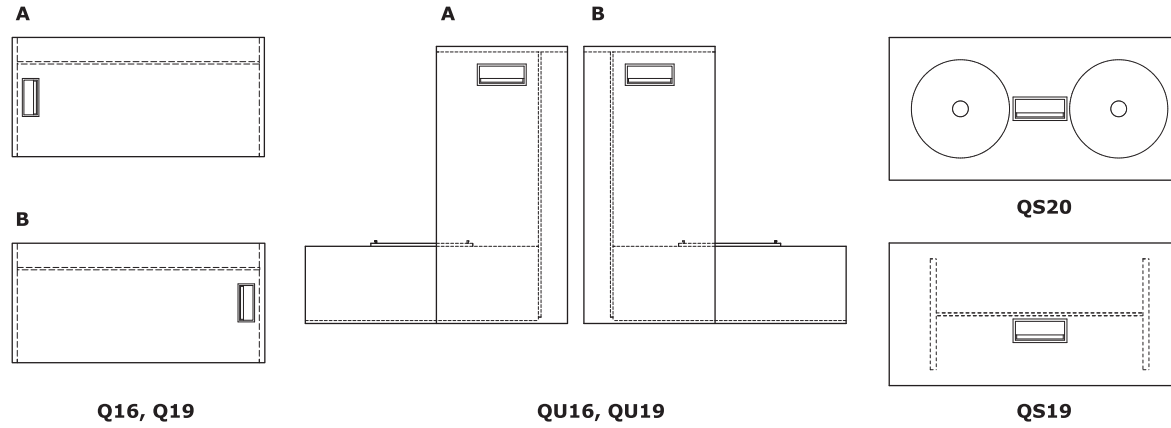
- 1 **Worktop** - MFC 38 mm, ABS edge
- 2 **Base** - MFC 38 mm, ABS edge
- 3 **Modesty panel** - MFC 18 mm, ABS edge
- 4 **Leveling feet** - aluminium 100x34x9 mm, range 5 mm



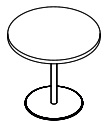
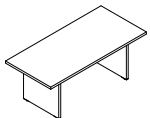
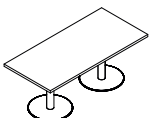
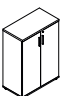
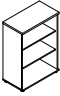
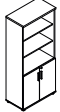
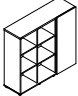
Disc base meeting tables

- 1 **Worktop** - MFC 38 mm, ABS edge
- 2 **Column** - powder coated steel
- 3 **Disc** - stainless steel INOX, powder coated

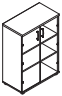
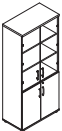
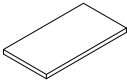

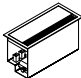


Mediabox location

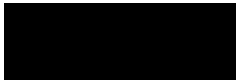

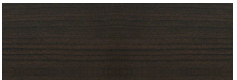

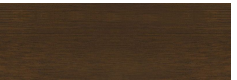





TO ORDER PRODUCT WITH MEDIABOX, AT THE END OF THE SYMBOL SHOULD BE ADDED A LETTER (A,B,...); WHICH IS CORRESPONDING TO THE SELECTED CONFIGURATION (EX. Q19A); THE PRICE OF THE MEDIABOX SHOULD BE ADDED TO THE PRICE OF THE BASIC PRODUCT.



Meeting tables							
	Symbol	Price RON with TVA	Dimensions			kg m3 pcs	Comments
			Width	Depth	Height		
	QS09	2938,-	800	800	740	35 kg 0.113 m3 3 pcs	column Ø50 mm, disc ø 500 mm
	QS12	3224,-	1200	1200	740	60 kg 0.165 m3 3 pcs	column ø100 mm, disc ø620 mm
	QS19	2886,-	1900	900	740	71.901 kg 0.154 m3 3 pcs	
	QS20	6162,-	1900	900	740	100.901 kg 0.24 m3 5 pcs	column ø100 mm, disc ø620 mm
Storages							
	Q31	1560,-	801	432	1129	43 kg 0.116 m3 3 pcs	30H
	Q51	2106,-	801	432	1833	75 kg 0.213 m3 3 pcs	50H
	Q35	1170,-	801	432	1129	33 kg 0.088 m3 2 pcs	30H
	Q54	1768,-	801	432	1833	65 kg 0.186 m3 3 pcs	50H
	Q315	3692,-	1400	432	1280	72 kg 0.187 m3 3 pcs	sliding door, 30H





Extra charge RON with TVA							
Mediabox M04H	Mediabox M04	Top access	Mediabox cut-out				
546,-	494,-	187,-	16,-				
546,-	494,-	187,-	16,-				

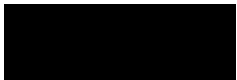

Glass door storages							
	Symbol	Price RON with TVA	Dimensions			kg m3 pcs	Comments
			Width	Depth	Height		
	Q35W	2080,-	801	432	1129	46 kg 0.157 m3 4 pcs	
	Q54W	2678,-	801	432	1833	78 kg 0.253 m3 5 pcs	
Optional storage tops							
	QT08	260,-	806	434	38	8.5 kg 0.023 m3 1 pcs	
	QT16	364,-	1608	434	38	17 kg 0.044 m3 1 pcs	
	QT24	494,-	2410	434	38	26 kg 0.066 m3 1 pcs	
Additional elements							
	HQ2	156,-	12	17	158	0.1 kg 0 m3 1 pcs	handles QUANDO (2 pcs);
	M04	504,-	275	120	140	1.6 kg 0.008 m3 1 pcs	4x230V, 2xRJ45, 1xUSB
	M04H	546,-	275	120	140	2 kg 0.013 m3 2 pcs	4x230V, 2xRJ45, 1xUSB, 1xHDM
	M05	187,-	275	120	25	0.3 kg 0.002 m3 1 pcs	top access












Extra charge RON with TVA									
Glass door AS300	Glass door IM300								
390,-	286,-								
390,-	286,-								

MFC							
 08 - black	 31 - canadian oak	 34 - chestnut	 67 - white pastel	 106 - lowland walnut	 172 - amber oak	 173 - robinia	 154 - anthracite
 167 - grey oak	 168 - natural oak						

Veneer	
 156 - elm	 157 - american walnut

Metal				
 M009 - aluminium semi-matt RAL 9006	 M015 - white semi-matt RAL 9010	 M154 - anthracite semi-matt RAL 7043	 154 - anthracite	 Stainless steel INOX

Glass	
 116 - glass black - RAL 9005	 117 - glass white - RAL 9003

HPL							
 73 - white high gloss	 74 - orange high gloss	 80 - green high gloss	 81 - burgundy high gloss	 101 - black high gloss	 102 - yellow high gloss	 108 - blue high gloss	 127 - dark pink high gloss
 148 - grey high gloss	 155 - anthracite high gloss	 158 - Graphite RAL 9004					