

Grace - chair technical specification



smart interior design

FOR YOUR OFFICE

WWW.SMARTINTERIOR.RO

Strada Ziduri Intre Vii, Nr 19, Corp A, Sector 2,
Bucuresti.

Email: office@smartinterior.ro
tel: 0742220325 / 0733626222



General informations:

Warranty:

products - 3 years.

Electrical components and fabric - 2 years.

Certificate - MFC:



Plate density:

12 mm - 690 - 750 kg/m³

18 mm - 650 - 690 kg/m³

28 mm - 610 - 630 kg/m³

36 mm - 610 - 630 kg/m³

Certificate - fabric:



Assembly:

the product comes pre-assembled

Packing:

foam wrap

smart interior design

FOR YOUR OFFICE

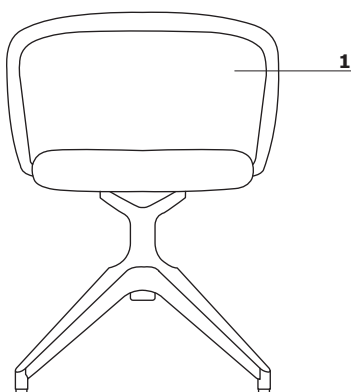
WWW.SMARTINTERIOR.RO

Strada Ziduri Intre Vii, Nr 19, Corp A, Sector 2,
Bucuresti.

Email: office@smartinterior.ro
tel: 0742220325 / 0733626222

Grace - chair

1. Seat, backrest - moulded foam (seat - density of 58 kg/m³, backrest - density of 60 kg/m³), upholstered



Grace

GRP4



Chair GRP4:

- 4 - star, aluminum, powder coated
- swivel seat - 360°
- aluminium cast
- legs finished with polypropylene feet, colour: black

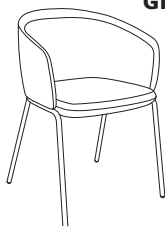
GRP4K



Chair GRP4K:

- 4 - star, aluminum, powder coated
- swivel seat - 360°
- aluminium cast
- castors for soft floors
- OPTION WITH EXTRA CHARGE - castors for hard floors

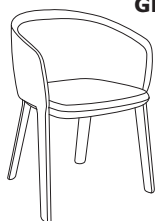
GRP5



Chair GRP5:

- 4 - legged, metal, powder coated
- legs made of tube Ø18 mm
- legs finished with polypropylene feet, colour: black

GRP6



Chair GRP6:

- 4 - legged, metal frame filled with foam, upholstered
- front legs Ø16mm diameter, rear legs Ø18mm diameter
- legs finished with polypropylene feet, colour: black

smart interior design

FOR YOUR OFFICE

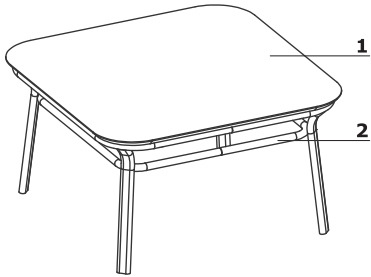
WWW.SMARTINTERIOR.RO

Strada Ziduri Intre Vii, Nr 19, Corp A, Sector 2,
Bucuresti.

Email: office@smartinterior.ro
tel: 0742220325 / 0733626222

Grace - tables

1. **Top** - MDF 19mm, natural veneer
2. **Frame** - oval-shaped profile 40 × 20 × 2 mm, tube Ø22 mm, wall thickness 2 mm, CNC-bent, powder coated



smart interior design

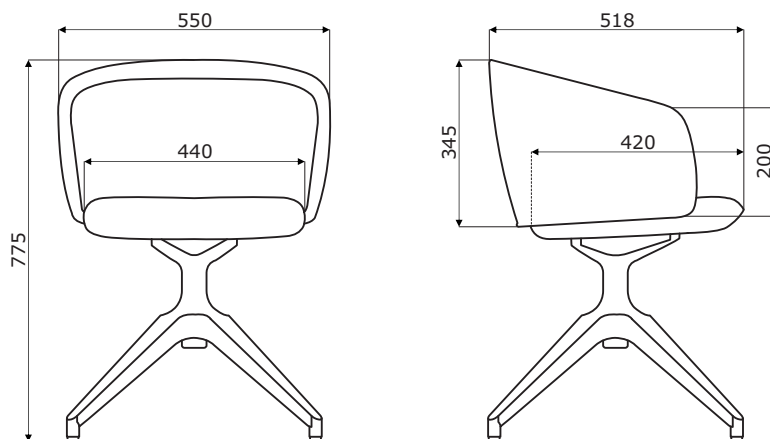
FOR YOUR OFFICE

WWW.SMARTINTERIOR.RO

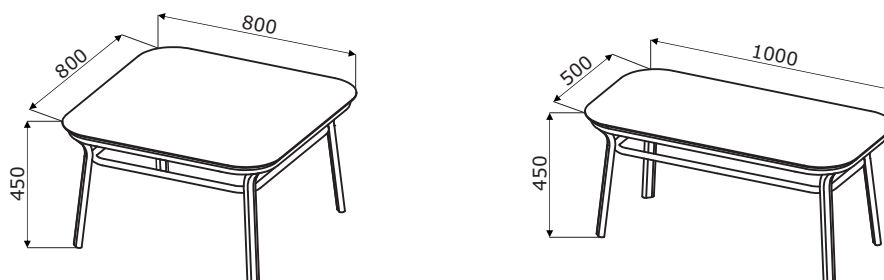
Strada Ziduri Intre Vii, Nr 19, Corp A, Sector 2,
Bucuresti.

Email: office@smartinterior.ro
tel: 0742220325 / 0733626222

Dimensions



Dimensions - tables



smart interior design

FOR YOUR OFFICE

WWW.SMARTINTERIOR.RO

Strada Ziduri Intre Vii, Nr 19, Corp A, Sector 2,
Bucuresti.

Email: office@smartinterior.ro
tel: 0742220325 / 0733626222

Grace *



GRP4
552 / 519 / 774
21 kg



GRP4K
552 / 519 / 771
22 kg

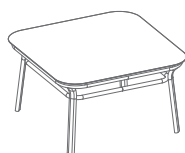


GRP5
552 / 506 / 760
22 kg

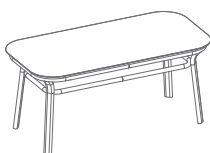


GRP6
552 / 506 / 758
21 kg

Tables *



GR01S
800 / 800 / 450
20 kg



GR02S
1000 / 500 / 450
17 kg

* dimensions expressed in millimeters: width x depth x height

smart interior design

FOR YOUR OFFICE

WWW.SMARTINTERIOR.RO

Strada Ziduri Intre Vii, Nr 19, Corp A, Sector 2,
Bucuresti.

Email: office@smartinterior.ro
tel: 0742220325 / 0733626222

Fabric Medley – second price group



Technical data:	
Material	polyester 100%
Fabric weight	510 g/lm (16.45 oz/lin.yd.)
Abrasion resistance rubs	BS EN ISO 12947-2, 75,000 cykli Martindale
Pilling resistance	scale 1-5, max. 5, EN ISO 12945-2 (4)
Colour fastness to light	scale 1-8, max. 8, EN ISO 105-B02 (5-7)
Colour fastness to rubbing	scale 1-5, max. 5, EN ISO 105x12 (wet/dry (4-5/4-5))
Acoustic test sound absorption	ISO 354
Flammability	BS EN 1021-1 (cigarette) BS 476 Part 7, Class 2 Class Uno UNI 9174 - UNI 8457 CA TB 117-2013 ASTM E 84 Class I

Fabric Atlantic * – second price group



Technical data:	
Material	polyester 100%
Fabric weight	530 g/lm (17.09 oz/lin.yd.)
Abrasion resistance rubs	BS EN ISO 12947-2, 110,000 Martindale cycles
Pilling resistance	scale 1-5, max. 5, EN ISO 12945-2 (4-5)
Colour fastness to light	scale 1-8, max. 8, EN ISO 105-B02 (5-7)
Colour fastness to rubbing	scale 1-5, max. 5, EN ISO 105x12 (wet/dry)
Flammability	CA TB 117-2013 ASTM E 84 Class I BS EN 1021-2 (match) BS EN 1021-1 (cigarette)

Fabric Vita – second price group



Technical data:	
Material	Surface: 98,5% PVC, 1,5% PU Substrate: 50% poliester, 50% Cotton
Fabric weight	850g/m2 ± 10% (1190G/lin. m ± 10%)
Abrasion resistance rubs	BS EN ISO 5470-2, 100,000 Martindale cycles
Colour fastness to light	6 (ISO 105 - B02)
Colour fastness to rubbing	wet: 4, dry: 4 (ISO 105 - X12)
Flammability	BS EN 1021 - (cigarette) BS EN 1021 - 2 (match) BS 5852 - (Ignition Source 5) BS 7176 - (Medium Hazard)
Flexes	BS EN ISO 7854 - Method B, 400.000 Flexing cycles
Anti-microblal / Anti-fungal	AATCC 147

* There is a possibility of ordering the product in full colour spectrum of Atlantic range, as per Gabriel's pattern book, within 8 weeks

smart interior design

FOR YOUR OFFICE

WWW.SMARTINTERIOR.RO

Strada Ziduri Intre Vii, Nr 19, Corp A, Sector 2,
Bucuresti.

Email: office@smartinterior.ro
tel: 0742220325 / 0733626222

Fabric River – second price group



Technical data:

Material polyester 100%

Fabric weight 300g/m2 (+/- 5%)

Abrasion resistance rubs 100,000 Martindale cycles (EN ISO 12947-1,2)

Pilling resistance EN ISO 12945-2 (5)

Colour fastness to light 4 (EN ISO 105-B02)

Colour fastness to rubbing dry: 4-5, wet: 3 (EN ISO 105-x12)

Flammability BS 5852: Part 1, Ignition Source 0 (cigarette)
BS 5852: Part 1, Ignition Source 1 (match)
En1021 - 2

Fabric Xtreme – third price group



Technical data:

Material 100% Trevira Clame (CS)
100% Recykling (YS)
Flame Retardant polyester.
Non metallic dyestuffs.

Fabric weight 310 g/m2 ±5% (435g/lin.m ±5%)

Abrasion resistance rubs 60,000 Martindale cycles (CS)
100,000 Martindale cycles (YS)

Colour fastness to light 6 (ISO 105 - B02)

Colour fastness to rubbing wet: 4, dry: 4 (ISO 105 - X12)

Flammability EN 1021 - 1 (cigarette),
EN 1021 - 2 (match)
BS 7176 Low Hazard,
NF P92-507 M1, DIN 4102 B1,
UNI 9175 Class 1 IM, UNI 8456,
UNI 9174 & UNI 9177 Classe Uno,
ÖNORM B 3825 & A 3800-1
NF D 60-013

Fabric Synergy – third price group



Technical data:

Material 95% Virgin Wool, 5% Poliamid

Fabric weight 400g/m2 ±5% (560 g/lin.m ±5%)

Abrasion resistance rubs Independently certified
≥100,000 Martindale cycles

Colour fastness to light 5 (ISO 105 - B02)

Colour fastness to rubbing ISO 105 - X12 - wet: 4, dry: 4

Flammability EN 1021 - 1 (cigarette),
EN 1021 - 2 (match),
BS 7176 Low Hazard,
UNI 9175 Classe 1 IM,
ÖNORM B 3825 & A 3800-1

smart interior design

FOR YOUR OFFICE

WWW.SMARTINTERIOR.RO

Strada Ziduri Intre Vii, Nr 19, Corp A, Sector 2,
Bucuresti.

Email: office@smartinterior.ro
tel: 0742220325 / 0733626222

Fabric Silvertex – third price group

There is a possibility of ordering the product in full colour spectrum of Silvertex range, as per Spradling's pattern book, within 15 working days.

Technical data:	
Material	Topcoat: 100% Vinyl Backing: 100% Polyester Hi-Loft™
Fabric weight	685 gr/m2
Abrasion resistance	>300,000 cycles Martindale
UV-resistance	>= 7 (1000 hours, blue wool scale)
Cold Crack resistance	-23°C
Flame retardancy	NF P 92-503 / M2 EN 1021, Part 1&2 DIN 4102 B2 ÖNORM B 3825, Gruppe I – Schwerbrennbares Verhalten ÖNORM A 3800, Teil I, Qualmbildungsklasse QI – schwachqualmend IMO Res. MSC.307 (88) (2010 FTP Code) Annex I Part 8 (MED) Marine Equipment Directive in its current valid version UNI 9175 (1987) / UNI 9175/FAI (1994) Classe I.IM (uno I EMME) UNE 23.727-90 IR /M2 EN 71-2: 2006+A1: 2007 Safety of Toys – Part 2: Flammability ECE R 118 (replaces Directive 95/28/EC) FMVSS 302 FAR 25/853
Antimicrobial	Antifungal Protection, Antibacterial Protection, Antimycotic Protection

Fabric Atlas – fourth price group



Technical data:	
Material	90% new wool, 10% nylon
Fabric weight	286g/m2, 400g/lm
Abrasion resistance rubs	100,000 cykli Martindale, EN ISO 12947
Colour fastness to light	ISO 105 B02: 6-7
Colour fastness to rubbing	ISO 105-X12:2001, (wet/dry) 4-5/4-5
Flammability	BS EN 1021-2 Match, BS EN 1021-1 Cigarette, BS 5 5852 Crib 5, BS 5852 ignition source 3, BS 5852 Part 1, NF D 60 013, UNI 9175 1IM, US Cal. Bull. 117-2013

Fabric Field2 – fourth price group



Technical data:	
Material	100% Trevira CS
Fabric weight	321g/m2, 450g/lm
Abrasion resistance rubs	100,000 cykli Martindale, EN ISO 12947
Colour fastness to light	ISO 105 B02: 5-7
Flammability	BS EN 1021-2 Match, BS EN 1021-1 Cigarette, BS 5 5852 Crib 5, DIN 4102 B1 FAR 25.853, UNI 9177 classe 1, US Cal. Bull. 117-2013

smart interior design

FOR YOUR OFFICE

WWW.SMARTINTERIOR.RO

Strada Ziduri Intre Vii, Nr 19, Corp A, Sector 2,
Bucuresti.

Email: office@smartinterior.ro
tel: 0742220325 / 0733626222

Base



M010 Light grey
semi-matt RAL7044



M011 Dark grey
semi-matt RAL7042



M012 Dark green
semi-matt RAL6012



M013 Burgundy
semi-matt RAL3007



M014 Red
semi-matt RAL3016



M016 Pearl white
semi-matt RAL1013



M115 Black
semi-matt RAL9005

Top - tables



M023 Pearl white



M024 Burgundy



M022 Black



M025 Natural ash

smart interior design

FOR YOUR OFFICE

WWW.SMARTINTERIOR.RO

Strada Ziduri Intre Vii, Nr 19, Corp A, Sector 2,
Bucuresti.

Email: office@smartinterior.ro
tel: 0742220325 / 0733626222