

Panouri Fonoabsorbante suspendate - AIR

AIR - overhead panels will be ideal in large spaces such as: open space offices, wide corridors, and spacious halls, where the acoustic effect of wall panels will be limited. Fluffo AIR is available in all Fluffo colours and shapes. Fluffo AIR will bring form and colour to the spacious interiors, significantly improving their acoustics.

smart interior design

FOR YOUR OFFICE

WWW.SMARTINTERIOR.RO

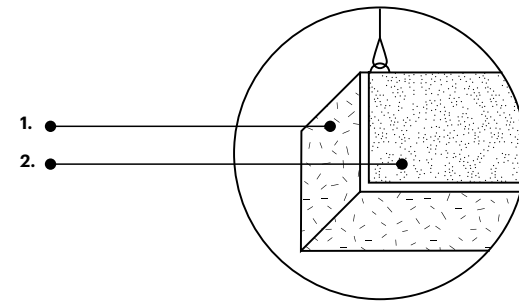
Strada Ziduri Intre Vii, Nr 19, Corp A, Sector 2,
Bucuresti.

Email: office@smartinterior.ro
tel: 0742220325 / 0733626222



Material

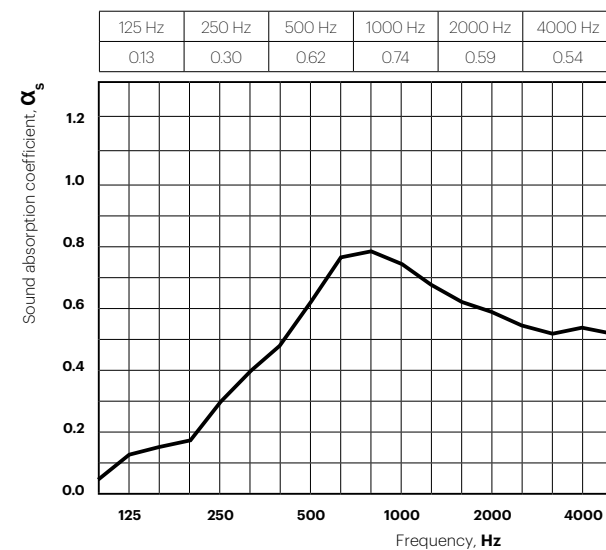
1. Finish - 1 mm
2. High density glass wool panel secured with glass fibre



Acoustics

α_s , Sound absorption coefficient according to PN-EN ISO 354:2005

AIR, air gap 1000 mm.



Sound absorption indicator according to PN-EN ISO 11654:1997 $\alpha_w = 0,60$

Sound absorption class: C

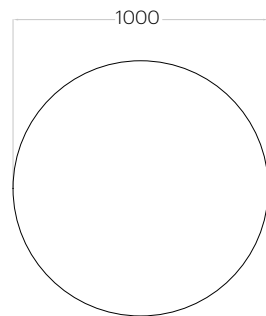


classification of fire resistance
PN-EN 135011+A1:2010 D-s1 d0;
Fire Retardant,
non-dripping.

Dot



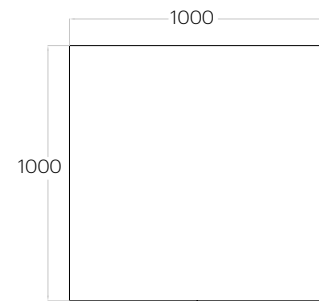
Thickness : 40 mm Waga
Weight : 2200 g
1 pc : 0,79 m²



Pixel



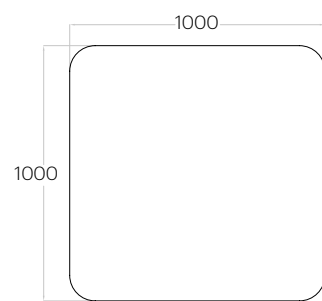
Thickness : 40 mm Waga
Weight : 2800 g
1 pc : 1,00m²



Tele



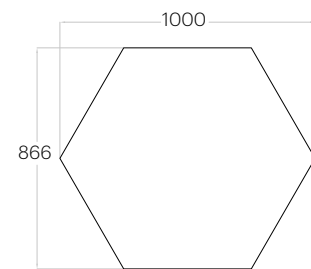
Thickness : 40 mm
Weight : 2800 g
1 pc : 0,99 m²



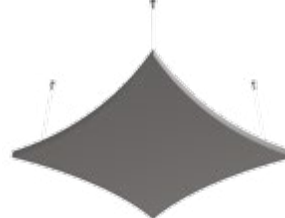
Hexa



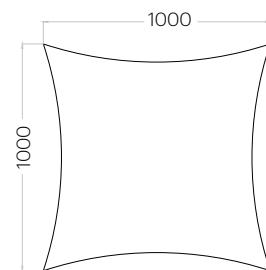
Thickness : 40 mm
Weight : 1800 g
1 pc : 0,65m²



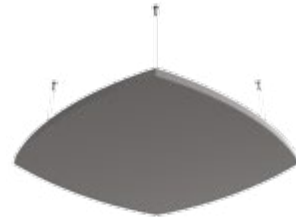
Echo



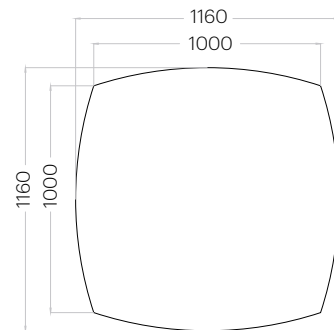
Thickness : 40 mm
Weight : 2200 g
1 pc : 0,79 m²



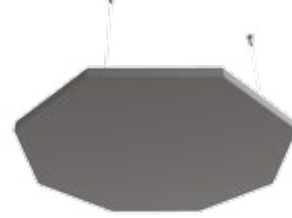
Hello



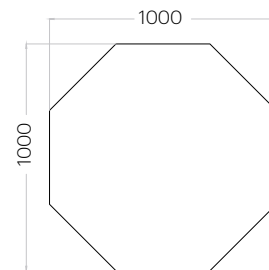
Thickness : 40 mm
Weight : 3100 g
1 pc = 1,12 m²



Octa



Thickness : 40 mm
Weight : 2300 g
1 pc = 0,83 m²



smart interior design

FOR YOUR OFFICE

WWW.SMARTINTERIOR.RO

Strada Ziduri Intre Vii, Nr 19, Corp A, Sector 2,
Bucuresti.

Email: office@smartinterior.ro
tel: 0742220325 / 0733626222



AIR installation.

The panel is suspended from the ceiling with steel cables, which make it possible for the panels to be hung at various heights. Available accessories permit the installation of panels on concrete ceilings as well as suspended raster ceiling. A set of necessary accessories and assembly templates are included with the product.



Mounting system